

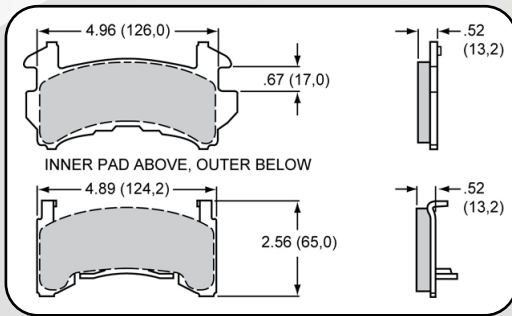
# BP-00 INTRODUCING THE ULTIMATE D-154 TUNING PAD

Wilwood Racing has developed a proprietary compound specifically for tuning your chassis. Using the **BP-00** pad in the right front caliper will assist in turning the car in traction and on racetracks with tight corners.

The high-resistance compound will generate heat without the coefficient of friction that other racing materials are designed to provide. The **BP-00** brake pads have excellent wear characteristics and are more rotor-friendly than higher-friction pads.



**D-154**  
Tuning Brake Pad  
[150-00-D154-2](#)



#### KEY FEATURES:

- **Zero Stopping Power:** Designed with advanced friction material to effectively disable the right front brakes to aid in turning your race car left
- **Long Lasting Durability:** High-resistance compound ensures great wear life, while being rotor-friendly
- Pad will build heat without adding stopping power
- **Sold as an individual wheel set**

\*BP-00 pads are designed for dirt racing applications, and are not intended for street use.

ORDERING INFO: PH: 805.388.1188 • [wilwood.com](#) • [info@wilwood.com](#)

CALIPER FITMENT	PAD TYPE	THICKNESS	PART NO. INDIVIDUAL WHEEL SET
GM Metric Single Piston Floater	D154-00	.52"	<a href="#">150-00-D154-2</a>