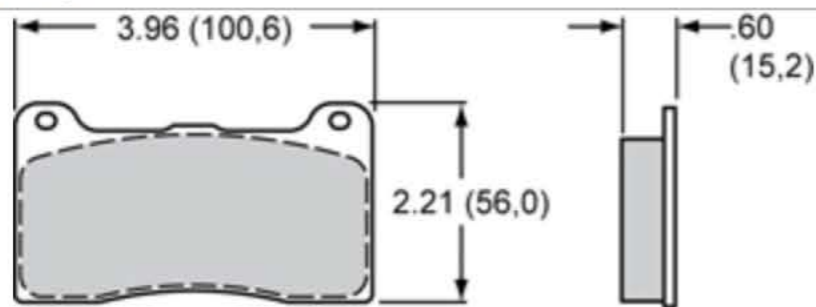


Pad#: **7816**

Product Number: **150-9419K**

Compound: **BP-20**



Wilwood Brake Pad Plate #7816



Pad Dimensions

Thickness(in):	Area(in ²):	Volume(in ³):	Bedded:
.60	6.36	3	N

Temperature & Friction Ratings

Peak Temperature Rating:	Peak Friction Rating:
1100 F.	0.55

Dust & Noise Ratings

Dust Production Rating:	Pad Noise Rating:
Low to Moderate	Low to Moderate

Performance Characteristics

- Medium friction, highest effective temperature range in medium temperature pad group.
- Smooth engagement, torque curve increases in relation to temperature
- Moderate wear rate at high temperature
- **Medium friction, highest effective temperature range in medium temperature pad group.**

Vehicle Applications

Driving Environment	Vehicle Sub-Types	Application Duty
Junior Dragster		Heavy Duty
Street Rods		Heavy Duty
Street Performance	Domestic	Heavy Duty
Street Performance	Import	Heavy Duty
Motorcycles		Heavy Duty
Road Race		Light Duty
Late Model Dirt	STARS, UMP, IMCA, etc...	Medium Duty
Drag Racing		Heavy Duty
Open Wheel	Sprint, Midget, etc... Dirt or Pavement	Medium Duty
Off Road		Medium Duty
Kart		Medium Duty
Power Sports	ATV, Snowmobile	Medium Duty

Pad Illustration and Dimensions

